

2010

Metric Conversions
 MM x 0.03937 = Inches
 Inches x 25.4 = MM
 Grams x 0.03527 = Ounces
 Ounces x 28.349527 = Grams

EAGLE ROCK®
TECHNOLOGIES

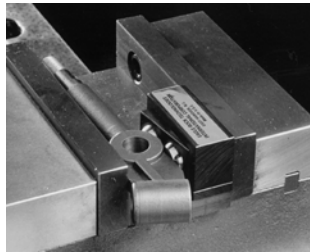
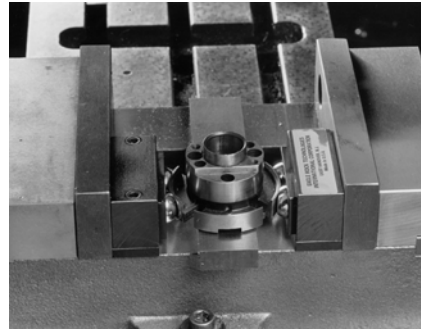
Wettstein Tool™

Milling Accessories

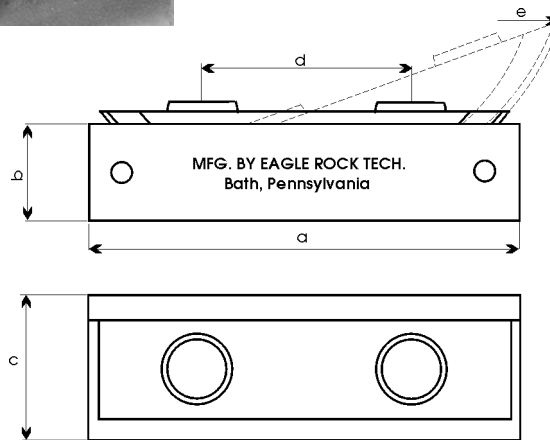
No. A1-26

UNPARALLEL's™ Vise Jaw Swivel Blocks

For improved holding of round or odd shaped parts in your milling vices. Block and ball pad swivel to accommodate irregular shapes for improved holding pressure. Body and swivel are solid steel construction for durability and long life.



5



a	b	c	d	e	Cat. No.
2½	1 5/16	1½"	7/8"	13 deg.	A1-26-2500
4½	1 5/16	1½"	2¼"	7 deg.	A1-26-4500
5½	1 13/16	1½"	3¼"	6 deg.	A1-26-5500
6½	1 13/16	1½"	5"	5 deg.	A1-26-6500